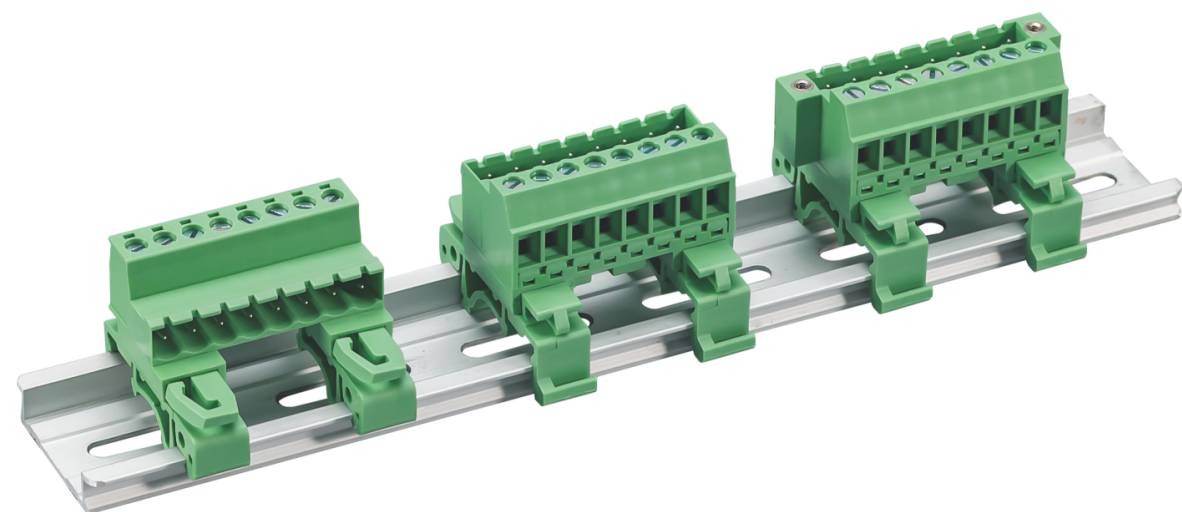


采用环保纸印刷
This Manual Printed On Environmentally Friendly Paper

全国服务热线

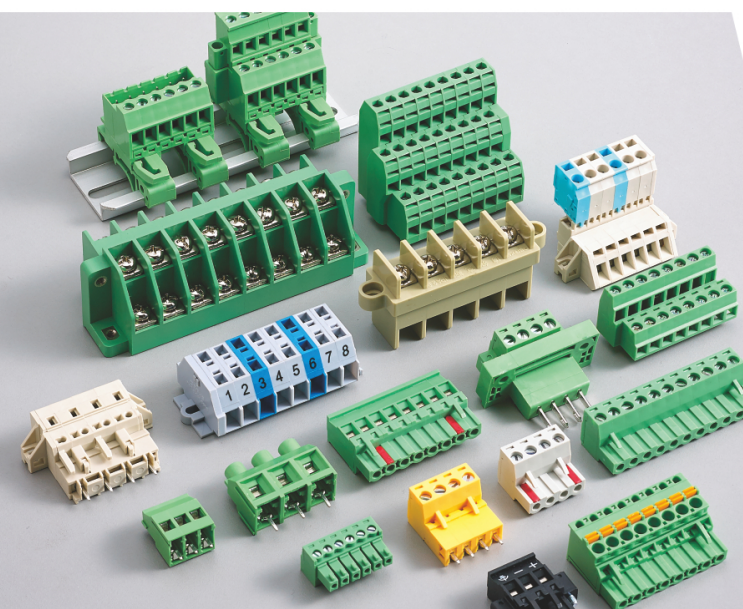
0577-62890126



DERKS[®]
德尔克斯电气

LET ELECTRICAL SIMPLE
And Efficient
让电气简单高效

**SELECTION
MANUAL** 产品选型手册



浙江德尔克斯电气有限公司
ZHEJIANG DERKS ELECTRICAL CO.,LTD.

浙江省乐清市北白象塘下工业区

0577-62890126 / 62968996 0577-62872012

www.derks.cn

linjuqiu@derks.cn

⚠ 本广告资料由德尔克斯电气印制，仅用于说明本系列产品的相关信息。德尔克斯电气随时可能因技术升级或采用更新的生产工艺而改进本手册有关内容，或对本手册的印刷错误及不准确的信息进行必要的改进和更改，恕不另行通知。商家订货时请随时联系本公司，以证实相关信息。
We reserve the right to make technical changes or modify the contents of this document without prior notice. All the agreed particulars shall prevail. All rights reserved.

© 浙江德尔克斯电气有限公司 版权所有 2021
Zhejiang Derks Electrical Co.,Ltd.



电子样本二维码

浙江德尔克斯电气有限公司
ZHEJIANG DERKS ELECTRICAL CO.,LTD.

Experts from essence
Quality from craftsmanship
技专于精，品源于工！



About Us

关于我们

浙江德尔克斯电气有限公司成立于2006年，是集研发、设计、生产、销售为一体的接线端子专业制造商。公司主要生产PCB接线端子，螺钉式接线端子，插拔式接线端子，弹簧式接线端子。经过不懈努力，公司已具有丰富的接线端子制造经验，齐全的专业生产设备，严格的品质控制程序，完善的销售网络，广泛的产品应用范例。



YB	YB212-381	YB312-500M/508M	YB312-762M
Photo			
Size			
Pitch.	3.81mm	5.00/5.08mm	7.62mm
Poles.	2 ~ 24poles	2 ~ 3poles	2 ~ 3poles
Approval.			
Rating.	10Amp AC300V	16Amp AC300V	16Amp AC300V

No.	YB312R-500/508	YB312R-762	YB322-500M/508M
Photo			
Size			
Pitch.	5.00/5.08mm	7.62mm	5.00/5.08mm
Poles.	2 ~ 3poles	2 ~ 3poles	2 ~ 3poles
Approval.			
Rating.	16Amp AC300V	16Amp AC300V	16Amp AC300V

No.	YB332-350M	YB332V-350M	YB332A-381M
Photo			
Size			
Pitch.	3.50mm	3.50mm	3.81mm
Poles.	2 ~ 3poles	2 ~ 3poles	2 ~ 3poles
Approval.			
Rating.	10Amp AC300V	10Amp AC300V	10Amp AC300V

YB	YB332B-381M	YB362-381M	YB362-500M/508M
Photo			
Size			
Pitch.	3.81mm	3.81mm	5.00/5.08mm
Poles.	2 ~ 3poles	2 ~ 3poles	2 ~ 3poles
Approval.			
Rating.	10Amp AC300V	10Amp AC300V	16Amp AC300V

No.	YB372-500M/508M	YB422A-508M	YB422B-508M
Photo			
Size			
Pitch.	5.00/5.08mm	5.08mm	5.08mm
Poles.	2 ~ 3poles	2 ~ 3poles	2 ~ 3poles
Approval.			
Rating.	16Amp AC300V	24Amp AC300V	24Amp AC300V

No.	YB432-508M	YB422B-750M/762M	YB522-500/508
Photo			
Size			
Pitch.	5.08mm	7.50/7.62mm	5.00/5.08mm
Poles.	2 ~ 3poles	2 ~ 3poles	2 ~ 24poles
Approval.			
Rating.	24Amp AC300V	24Amp AC300V	16Amp AC300V

YB	YB612-508M	YB622-508M	YB642-508M
Photo			
Size			
Pitch.	5.08mm	5.08mm	5.08mm
Poles.	2 ~ 8poles	2 ~ 3poles	2 ~ 3poles
Approval.			
Rating.	16Amp AC300V	16Amp AC300V	16Amp AC300V

No.	YB652-508	YB912-635M	YB912-750M
Photo			
Size			
Pitch.	5.08mm	6.35mm	7.50mm
Poles.	2 ~ 20poles	2 ~ 8poles	2 ~ 3poles
Approval.			
Rating.	16Amp AC300V	30Amp AC300V	30Amp AC300V

No.	YB912-762M	YB912-952M	YB952-635M
Photo			
Size			
Pitch.	7.62mm	9.52mm	6.35mm
Poles.	2 ~ 3poles	2 ~ 6poles	2 ~ 3poles
Approval.			
Rating.	30Amp AC300V	30Amp AC300V	30Amp AC300V

YC	YC420-350/381	YC421-350/381	YC420-508
Photo			
Size			
Pitch.	3.50/3.81mm	3.50/3.81mm	5.08mm
Poles.	2 ~ 16poles	2 ~ 16poles	2 ~ 12poles
Approval.			
Rating.	12Amp AC300V	12Amp AC300V	8Amp AC250V

No.	YC421-508	YC060-350/381	YC061-350/381
Photo			
Size			
Pitch.	5.08mm	3.50/3.81mm	3.50/3.81mm
Poles.	2 ~ 12poles	2 ~ 16poles	2 ~ 16poles
Approval.			
Rating.	8Amp AC250V	12Amp AC300V	12Amp AC300V

No.	YC070-350/381	YC071-350/381	YC100-500/508
Photo			
Size			
Pitch.	3.50/3.81mm	3.50/3.81mm	5.00/5.08mm
Poles.	2 ~ 16poles	2 ~ 16poles	2 ~ 24poles
Approval.			
Rating.	12Amp AC300V	12Amp AC300V	16Amp AC300V

YC	YC101-500/508	YC110-500	YC120-508
Photo			
Size			
Pitch.	5.00/5.08mm	5.00mm	5.08mm
Poles.	2 ~ 24poles	2 ~ 4poles	2 ~ 24poles
Approval.			
Rating.	16Amp AC300V	16Amp AC300V	16Amp AC300V

No.	YC121-508	YC010-500/508	YC011-500/508
Photo			
Size			
Pitch.	5.08mm	5.00/5.08mm	5.00/5.08mm
Poles.	2 ~ 24poles	2 ~ 24poles	2 ~ 24poles
Approval.			
Rating.	16Amp AC300V	16Amp AC300V	16Amp AC300V

No.	YC020-500/508	YC021-500/508	YC010-762
Photo			
Size			
Pitch.	5.00/5.08mm	5.00/5.08mm	7.62mm
Poles.	2 ~ 24poles	2 ~ 24poles	2 ~ 12poles
Approval.			
Rating.	16Amp AC300V	16Amp AC300V	16Amp AC400V

YC	YC011-762	YC020-762	YC021-762
Photo			
Size			
Pitch.	7.62mm	7.62mm	7.62mm
Poles.	2 ~ 12poles N=Poles	2 ~ 12poles N=Poles	2 ~ 12poles N=Poles
Approval.			
Rating.	16Amp AC400V	16Amp AC400V	16Amp AC400V

No.	YC030-250	YC140-350	YC141-350
Photo			
Size			
Pitch.	2.50mm	3.50mm	3.50mm
Poles.	2 ~ 12poles a=(N-1)*Pitch N=Poles	2 ~ 24poles a=(N-1)*Pitch N=Poles	2 ~ 24poles a=(N-1)*Pitch N=Poles
Approval.			
Rating.	4Amp AC100V	8Amp AC250V	8Amp AC250V

No.	YC143-350	YC030-381	YC031-381
Photo			
Size			
Pitch.	3.50mm	3.81mm	3.81mm
Poles.	2 ~ 24poles a=(N-1)*Pitch N=Poles	2 ~ 24poles a=(N-1)*Pitch N=Poles	2 ~ 24poles a=(N-1)*Pitch N=Poles
Approval.			
Rating.	8Amp AC250V	8Amp AC160V	8Amp AC160V

YC	YC030-508	YC031-508	YC040-508
Photo			
Size			
Pitch.	5.08mm	5.08mm	5.08mm
Poles.	2 ~ 24poles a=(N-1)*Pitch N=Poles	2 ~ 24poles a=(N-1)*Pitch N=Poles	2 ~ 16poles N=Poles
Approval.			
Rating.	16Amp AC300V	16Amp AC300V	16Amp AC300V

No.	YC041-508	YC050-508	YC051-508
Photo			
Size			
Pitch.	5.08mm	5.08mm	5.08mm
Poles.	2 ~ 16poles N=Poles	2 ~ 16poles a=(N-1)*Pitch N=Poles	2 ~ 16poles a=(N-1)*Pitch N=Poles
Approval.			
Rating.	16Amp AC300V	16Amp AC300V	16Amp AC300V

No.	YC080-508	YC080B-508	YC081-508
Photo			
Size			
Pitch.	5.08mm	5.08mm	5.08mm
Poles.	2 ~ 16poles N=Poles	2 ~ 16poles N=Poles	2 ~ 16poles N=Poles
Approval.			
Rating.	16Amp AC300V	16Amp AC300V	16Amp AC300V

YC	YC081B-508	YC090-750/762	YC091-750/762
Photo			
Size			
Pitch.	5.08mm	7.50/7.62mm	7.50/7.62mm
Poles.	2 ~ 16poles	2 ~ 12poles	2 ~ 12poles
Approval.			
Rating.	16Amp AC300V	16Amp AC400V	16Amp AC400V

No.	YC310-508	YC311-508	YC710-500
Photo			
Size			
Pitch.	5.08mm	5.08mm	5.00mm
Poles.	2 ~ 24poles	2 ~ 24poles	2 ~ 16poles
Approval.			
Rating.	16Amp AC300V	16Amp AC300V	16Amp AC300V

No.	YC711-500	YC721-500	YC731-500
Photo			
Size			
Pitch.	5.00mm	5.00mm	5.00mm
Poles.	2 ~ 16poles	2 ~ 16poles	2 ~ 20poles
Approval.			
Rating.	16Amp AC300V	16Amp AC300V	16Amp AC300V

YC	YC741-500	YC710-750	YC711-750
Photo			
Size			
Pitch.	5.00mm	7.50mm	7.50mm
Poles.	2 ~ 16poles	2 ~ 16poles	2 ~ 16poles
Approval.			
Rating.	16Amp AC300V	16Amp AC400V	16Amp AC400V

No.	YC721-750	YC741-750	YC761-500
Photo			
Size			
Pitch.	7.50mm	7.50mm	5.00mm
Poles.	2 ~ 12poles	2 ~ 12poles	2 ~ 16poles
Approval.			
Rating.	16Amp AC400V	16Amp AC400V	16Amp AC300V

YE	YE010-500/508	YE010FX-508	YE020-500/508
Photo			
Size			
Pitch.	5.00/5.08mm	5.08mm	5.00/5.08mm
Poles.	2 ~ 24poles N=Poles	2 ~ 16poles N=Poles	2 ~ 24poles N=Poles
Approval.			
Rating.	16Amp AC300V	16Amp AC300V	16Amp AC300V

No.	YE030-500/508	YE030FX-508	YE040-500/508
Photo			
Size			
Pitch.	5.00/5.08mm	5.08mm	5.00/5.08mm
Poles.	2 ~ 24poles a=(N-1)*Pitch N=Poles	2 ~ 16poles N=Poles	2 ~ 24poles a=(N-1)*Pitch N=Poles
Approval.			
Rating.	16Amp AC300V	16Amp AC300V	16Amp AC300V

No.	YE050-500/508	YE050FX-508	YE060-500/508
Photo			
Size			
Pitch.	5.00/5.08mm	5.08mm	5.00/5.08mm
Poles.	2 ~ 24poles a=(N-1)*Pitch N=Poles	2 ~ 14poles N=Poles	2 ~ 24poles a=(N-1)*Pitch N=Poles
Approval.			
Rating.	16Amp AC300V	16Amp AC300V	16Amp AC300V

YE	YE430-350/381	YE430FX-350	YE440-350/381
Photo			
Size			
Pitch.	3.50/3.81mm	3.50mm	3.50/3.81mm
Poles.	2 ~ 16poles a=(N-1)*Pitch N=Poles	2 ~ 16poles a=(N-1)*Pitch N=Poles	2 ~ 16poles a=(N-1)*Pitch N=Poles
Approval.			
Rating.	12Amp AC300V	12Amp AC300V	12Amp AC300V

No.	YE450-350/381	YE460-350/381	YE430-508
Photo			
Size			
Pitch.	3.50/3.81mm	3.50/3.81mm	5.08mm
Poles.	2 ~ 16poles a=(N-1)*Pitch N=Poles	2 ~ 16poles a=(N-1)*Pitch N=Poles	2 ~ 12poles a=(N-1)*Pitch N=Poles
Approval.			
Rating.	12Amp AC300V	12Amp AC300V	8Amp AC250V

No.	YE440-508	YE450-508	YE460-508
Photo			
Size			
Pitch.	5.08mm	5.08mm	5.08mm
Poles.	2 ~ 12poles a=(N-1)*Pitch N=Poles	2 ~ 12poles a=(N-1)*Pitch N=Poles	2 ~ 12poles a=(N-1)*Pitch N=Poles
Approval.			
Rating.	8Amp AC250V	8Amp AC250V	8Amp AC250V

YE	YE030-250	YE040-250	YE1010-500L
Photo			
Size			
Pitch.	2.50mm	2.50mm	5.00mm
Poles.	2 ~ 12poles	2 ~ 12poles	2 ~ 4poles
Approval.			
Rating.	4Amp AC80V	4Amp AC80V	16Amp AC300V

No.	YE1010-500R	YE110-500M/508M	YE120-500M/508M
Photo			
Size			
Pitch.	5.00mm	5.00/5.08mm	5.00/5.08mm
Poles.	2 ~ 4poles	2 ~ 24poles	2 ~ 24poles
Approval.			
Rating.	16Amp AC300V	16Amp AC300V	16Amp AC300V

No.	YE130-500M/508M	YE140-500/508	YE150-500/508
Photo			
Size			
Pitch.	5.00/5.08mm	5.00/5.08mm	5.00/5.08mm
Poles.	2 ~ 24poles	2 ~ 24poles	2 ~ 24poles
Approval.			
Rating.	16Amp AC300V	16Amp AC300V	16Amp AC300V

YE	YE160-500/508	YE230-250	YE240-250
Photo			
Size			
Pitch.	5.00/5.08mm	2.50mm	2.50mm
Poles.	2 ~ 24poles	2 ~ 12poles	2 ~ 12poles
Approval.			
Rating.	16Amp AC300V	4Amp AC80V	4Amp AC80V

No.	YE1230-350	YE1240-350	YE1250-350
Photo			
Size			
Pitch.	3.50mm	3.50mm	3.50mm
Poles.	2 ~ 24poles	2 ~ 24poles	2 ~ 24poles
Approval.			
Rating.	8Amp AC250V	8Amp AC250V	8Amp AC250V

No.	YE1260-350	YE1270-350	YE1280-350
Photo			
Size			
Pitch.	3.50mm	3.50mm	3.50mm
Poles.	2 ~ 24poles	2 ~ 24poles	2 ~ 24poles
Approval.			
Rating.	8Amp AC250V	8Amp AC250V	8Amp AC250V

YE	YE230-381	YE240-381	YE250-381
Photo			
Size			
Pitch.	3.81mm	3.81mm	3.81mm
Poles.	2 ~ 24poles	2 ~ 24poles	2 ~ 24poles
Approval.			
Rating.	10Amp AC300V	10Amp AC300V	10Amp AC300V

No.	YE260-381	YE210-508M	YE220-508M
Photo			
Size			
Pitch.	3.81mm	5.08mm	5.08mm
Poles.	2 ~ 24poles	2 ~ 24poles	2 ~ 24poles
Approval.			
Rating.	10Amp AC300V	16Amp AC300V	16Amp AC300V

No.	YE230-508	YE240-508	YE250-508
Photo			
Size			
Pitch.	5.08mm	5.08mm	5.08mm
Poles.	2 ~ 24poles	2 ~ 24poles	2 ~ 24poles
Approval.			
Rating.	16Amp AC300V	16Amp AC300V	16Amp AC300V

YE	YE260-508	YE3230-381	YE3250-381
Photo			
Size			
Pitch.	5.08mm	3.81mm	3.81mm
Poles.	2 ~ 24poles	2 ~ 24poles	2 ~ 24poles
Approval.			
Rating.	16Amp AC300V	8Amp AC300V	8Amp AC300V

No.	YE3290-381	YE3230-508	YE3250-508
Photo			
Size			
Pitch.	3.81mm	5.08mm	5.08mm
Poles.	2 ~ 24poles	2 ~ 24poles	2 ~ 24poles
Approval.		CE	CE
Rating.	8Amp AC300V	16Amp AC300V	16Amp AC300V

No.	YE3270-508	YE3290-508	YE3430-508
Photo			
Size			
Pitch.	5.08mm	5.08mm	5.08mm
Poles.	2 ~ 24poles	2 ~ 24poles	2 ~ 16poles
Approval.	CE	CE	
Rating.	16Amp AC300V	16Amp AC300V	16Amp AC300V

YE	YE3450-508	YE330-381	YE350-381
Photo			
Size			
Pitch.	5.08mm	3.81mm	3.81mm
Poles.	10poles	2 ~ 24poles	2 ~ 24poles
Approval.			
Rating.	16Amp AC300V	12Amp AC300V	12Amp AC300V

No.	YE390-381	YE330-508	YE350-508
Photo			
Size			
Pitch.	3.81mm	5.08mm	5.08mm
Poles.	2 ~ 24poles	2 ~ 24poles	2 ~ 24poles
Approval.			
Rating.	12Amp AC300V	16Amp AC300V	16Amp AC300V

No.	YE370-508	YE390-508	YE330-762
Photo			
Size			
Pitch.	5.08mm	5.08mm	7.62mm
Poles.	2 ~ 24poles	2 ~ 24poles	2 ~ 12poles
Approval.			
Rating.	16Amp AC300V	16Amp AC300V	16Amp AC400V

YE	YE350-762	YE370-762	YE510-500/508
Photo			
Size			
Pitch.	7.62mm	7.62mm	5.00/5.08mm
Poles.	2 ~ 12poles	2 ~ 12poles	2 ~ 16poles
Approval.			
Rating.	16Amp AC400V	16Amp AC400V	16Amp AC300V

No.	YE530-500/508	YE630-508	YE650-508
Photo			
Size			
Pitch.	5.00/5.08mm	5.08mm	5.08mm
Poles.	2 ~ 16poles	2 ~ 16poles	2 ~ 16poles
Approval.			
Rating.	16Amp AC300V	16Amp AC300V	16Amp AC300V

No.	YE350KJ-381	YE350KJ-508	YE7230-500
Photo			
Size			
Pitch.	3.81mm	5.08mm	5.00mm
Poles.	2 ~ 24poles	2 ~ 16poles	2 ~ 20poles
Approval.			
Rating.			16Amp AC300V

YE	YE7240-500	YE7230-750	YE7240-750
Photo			
Size			
Pitch.	5.00mm	7.50mm	7.50mm
Poles.	2 ~ 20poles	2~12poles	2 ~ 12poles
Approval.			
Rating.	16Amp AC300V	16Amp AC400V	16Amp AC400V

No.	YE7340-500	YE7340-750	YE7360-500
Photo			
Size			
Pitch.	5.00mm	7.50mm	5.00mm
Poles.	2 ~ 20poles	2 ~ 12poles	2 ~ 20poles
Approval.			
Rating.	16Amp AC300V	16Amp AC400V	16Amp AC300V

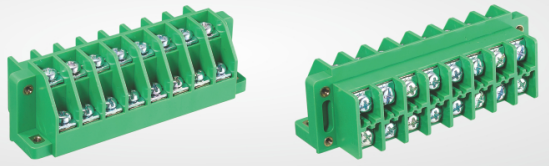
No.	YE7360-750	YE860-381	YE860-508
Photo			
Size			
Pitch.	7.50mm	3.81mm	5.08mm
Poles.	2 ~ 12poles	2 ~ 24poles	2 ~ 16poles
Approval.			
Rating.	16Amp AC400V	8Amp AC160V	16Amp AC300V

YE	YE870-508	YE910-750/762	YE920-750/762
Photo			
Size			
Pitch.	5.08mm	7.50/7.62mm	7.50/7.62mm
Poles.	2 ~ 24poles	2 ~ 12poles	2 ~ 12poles
Approval.			
Rating.	16Amp AC300V	16Amp AC400V	16Amp AC400V

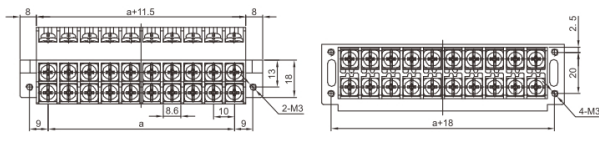
No.	YE930-750/762	YE940-750/762	YE950-750/762
Photo			
Size			
Pitch.	7.50/7.62mm	7.50/7.62mm	7.50/7.62mm
Poles.	2 ~ 12poles	2 ~ 12poles	2 ~ 12poles
Approval.			
Rating.	16Amp AC400V	16Amp AC400V	16Amp AC400V

No.	YE960-750/762
Photo	
Size	
Pitch.	7.50/7.62mm
Poles.	2 ~ 12poles
Approval.	
Rating.	16Amp AC400V

JB JB2.5-10X



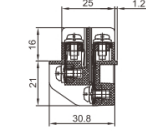
Photo



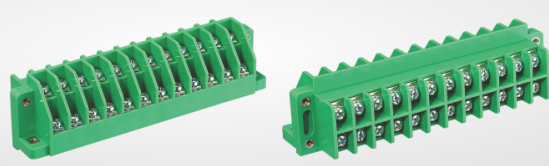
Size

Pitch. 10.00mm
 Poles. 2 ~ 20poles
 Approval. CE
 Rating. 24Amp AC660V

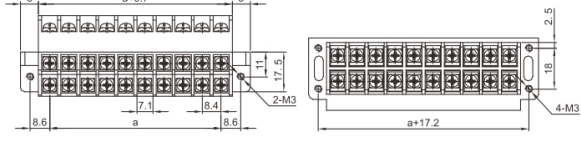
$a=(N-1) \times \text{Pitch}$
 N=Poles



JB1.5-84X



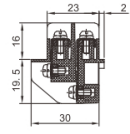
Photo



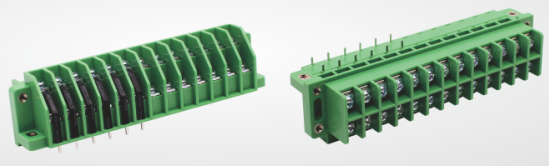
Size

Pitch. 8.4mm
 Poles. 2 ~ 16poles
 Rating. 15Amp AC660V

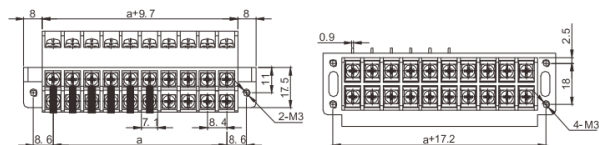
$a=(N-1) \times \text{Pitch}$
 N=Poles



No. JB1.5-84□-L□R□



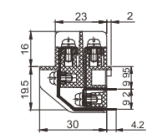
Photo




Size

Pitch. 8.4mm
 Poles. 2 ~ 16poles
 Approval.
 Rating. 15Amp AC660V

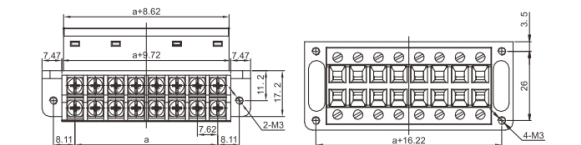
$a=(N-1) \times \text{Pitch}$
 N=Poles



JT1.5-762X



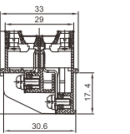
Photo



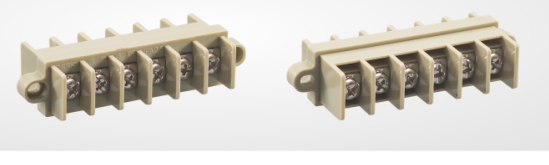
Size

Pitch. 7.62mm
 Poles. 4 ~ 20poles
 Rating. 16Amp AC660V

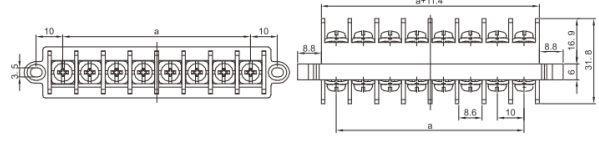
$a=(N-1) \times \text{Pitch}$
 N=Poles



JPA JPA2.5-10X



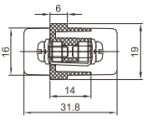
Photo



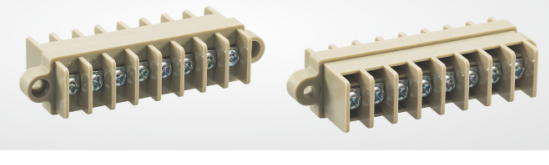
Size

Pitch. 10.00mm
 Poles. 2 ~ 16poles
 Approval.
 Rating. 24Amp AC660V

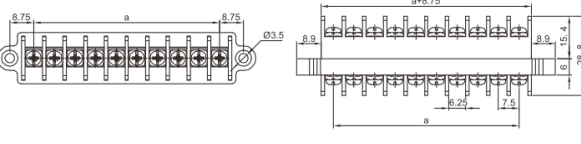
$a=(N-1) \times \text{Pitch}$
 N=Poles



JPA1.5-75X



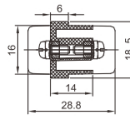
Photo



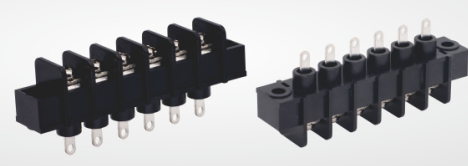
Size

Pitch. 7.5mm
 Poles. 2 ~ 25poles
 Rating. 16Amp AC660V

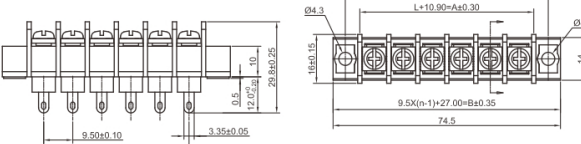
$a=(N-1) \times \text{Pitch}$
 N=Poles



JS45H-950



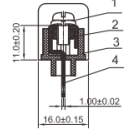
Photo



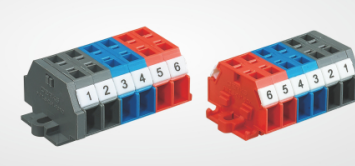
Size

Pitch. 9.50mm
 Poles. 2-8poles
 Approval.
 Rating. 10Amp AC250V


$a=(N-1) \times \text{Pitch}$
 N=Poles



FW FW2.5-261-30X



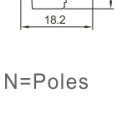
Photo



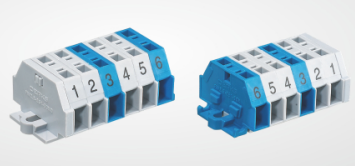
Size

Pitch. 6.00mm
 Poles. 1 ~ 30poles
 Approval.
 Rating. 16Amp AC300V

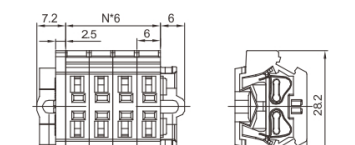
N=Poles



FW2.5-261-30X



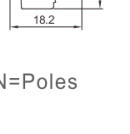
Photo



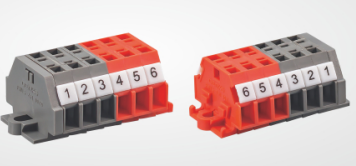
Size

Pitch. 6.00mm
 Poles. 1 ~ 30poles
 Approval.
 Rating. 16Amp AC300V

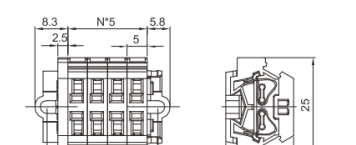
N=Poles



FW1.5-261-30X



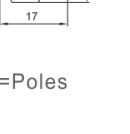
Photo



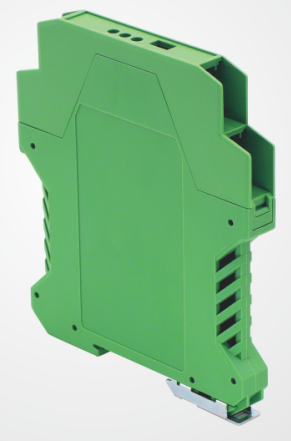
Size

Pitch. 5.00mm
 Poles. 1 ~ 30poles
 Approval.
 Rating. 10Amp AC300V

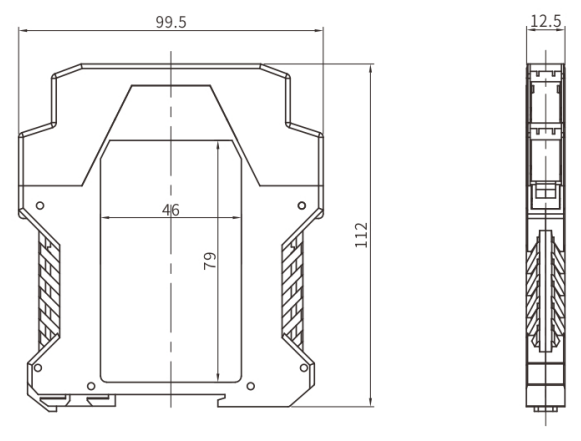
N=Poles



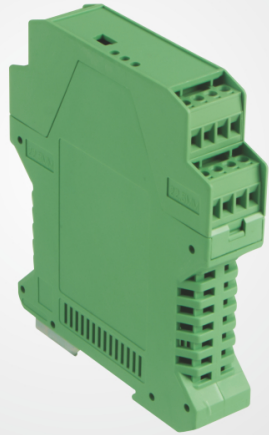
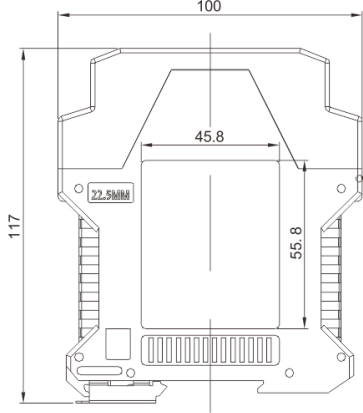
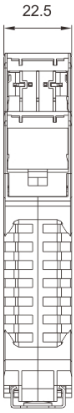
外壳 控制器外壳-12.5

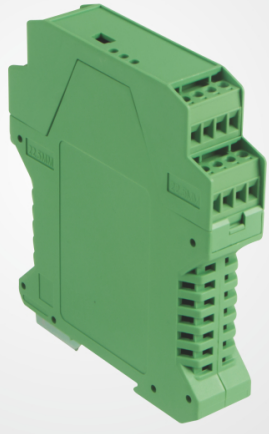
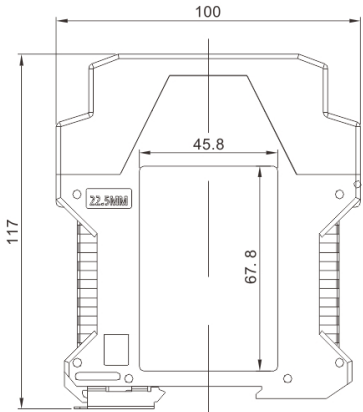



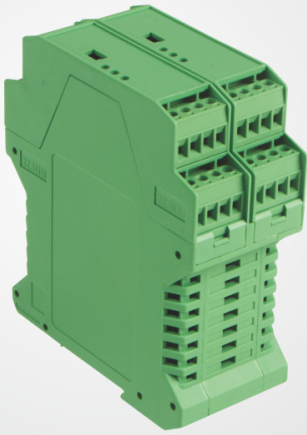
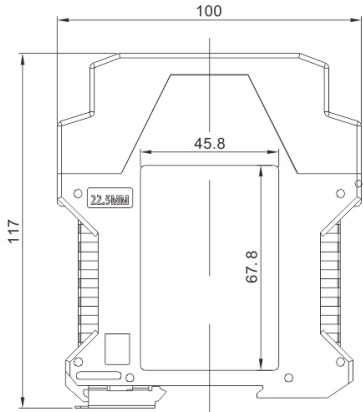

Photo

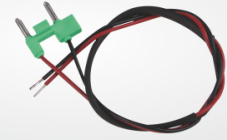


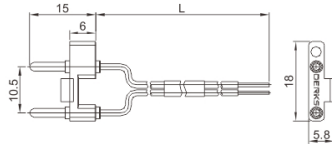





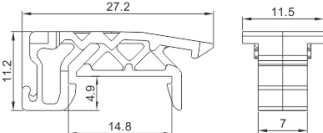
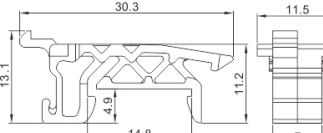
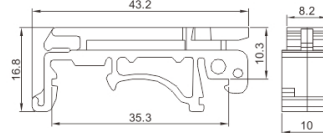
Size


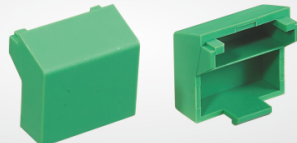
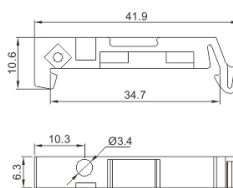
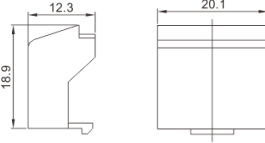
外壳		控制器外壳-22.5 (小标)	
Photo			

No.		控制器外壳-22.5 (大标)	
Photo			

No.		控制器外壳-45 (大标)	
Photo			

配件		重合闸线束	CT-508	KT-508
Photo				
Size				
Pitch.		10.5mm	5.08mm	5.08mm
Poles.		1poles	6poles	6poles
Approval.				
Rating.		16Amp AC300V		

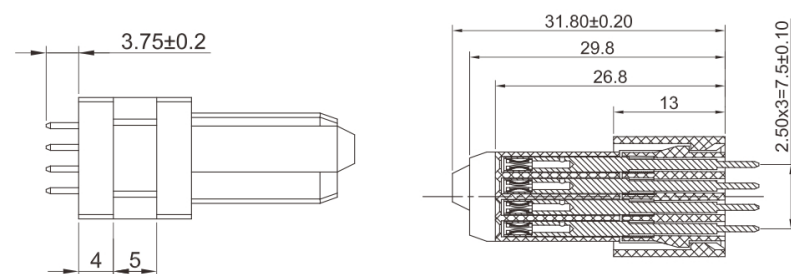
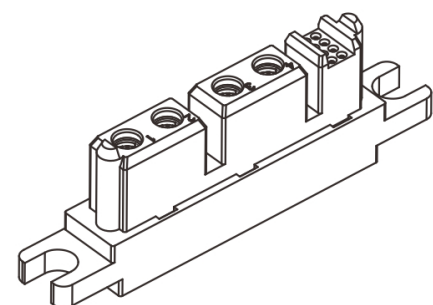
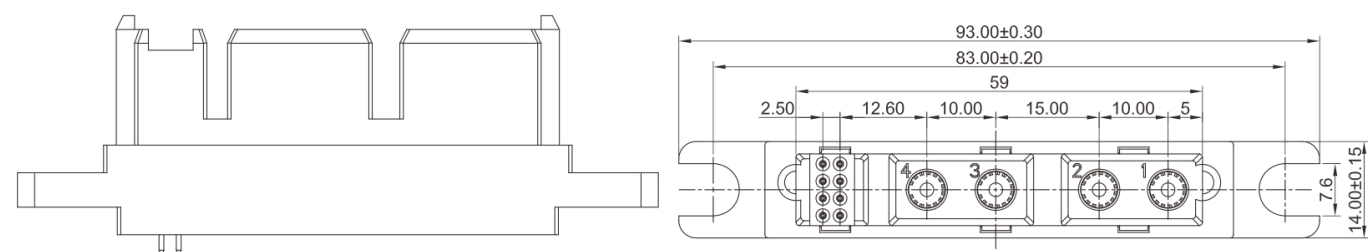
No.		US15安装脚	US15安装脚(防脱扣)	NS35安装脚
Photo				
Size				
Pitch.		15mm	15mm	35mm
Poles.		1poles	1poles	1poles
Approval.				
Rating.				

No.		YE7/35安装脚	小盖板 (控制器)
Photo			
Size			
Pitch.		35mm	22.5mm
Poles.		1poles	1poles
Approval.			
Rating.			

DKY-P100-04/08-X

DK Y - P 100 - 04/08 - X

客户要求
08: 信号针级数8位
04: 电源针级数4位
100: 间距10.0mm
P: 公座 (PLUG)
Y: 压接工艺
DK: 矩形连接器



技术参数及电气性能

额定电压
DC电源端子750V, 信号端子30V

额定电流
电源端子85A, 信号端子3A

绝缘电阻
常态≥500MΩ

接触电阻
< 20mΩ

大针单PIN插拔力
> 5 < 12N

小针单PIN插拔力
> 1N < 6N

插拔寿命
1000次

耐电压
AC2000V/Min

环境温度
-40°C~+105°C

相对湿度
≤95% (+40°C)

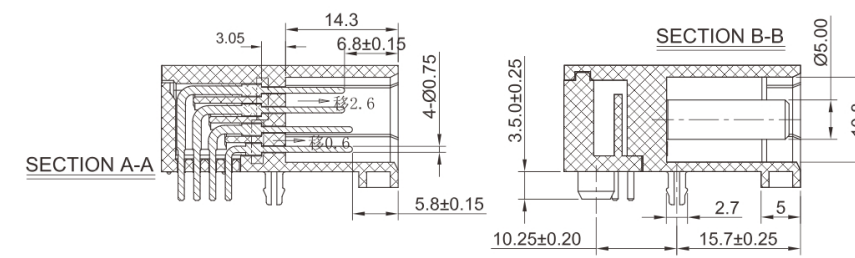
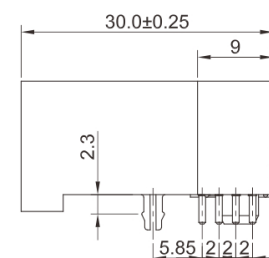
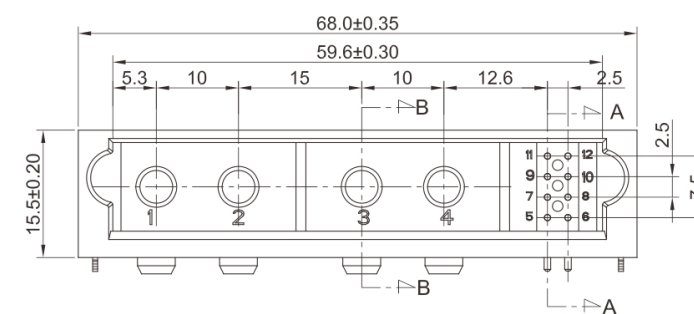
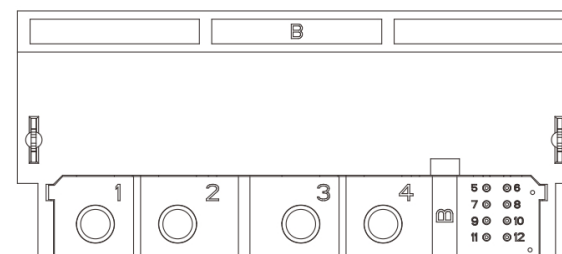
本公司新产品描述

电源连接器-采用的是先进冠簧插孔结构, 具有连接可靠、插拔柔和、插拔力小、接触电阻低、通载电流高、性能优良等特点。该系列产品主要应用于: 充电桩、UPS电源、铁路信号电源、通讯电源、电力电源、电能质量、光伏等。

DKY-S100-04/08-X

DK Y - P 100 - 04/08 - X

客户要求
08: 信号针级数8位
04: 电源针级数4位
100: 间距10.0mm
S: 母座 (SOCKET)
Y: 压接工艺
DK: 矩形连接器



技术参数及电气性能

额定电压
DC电源端子750V, 信号端子30V

额定电流
电源端子75A, 信号端子3A

绝缘电阻
常态≥500MΩ

接触电阻
< 20mΩ

大针单PIN插拔力
> 5

小针单PIN插拔力
> 1N

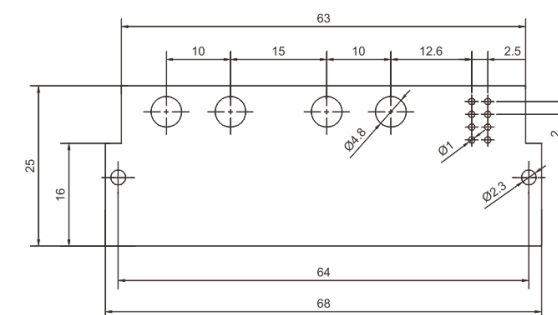
插拔寿命
1000次

耐电压
AC2000V/Min

环境温度
-40°C~+105°C

相对湿度
≤95% (+40°C)

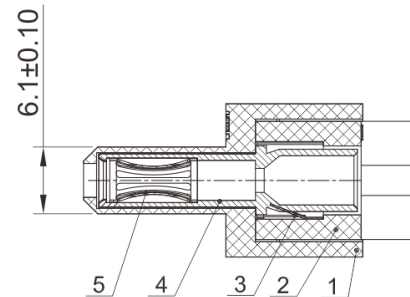
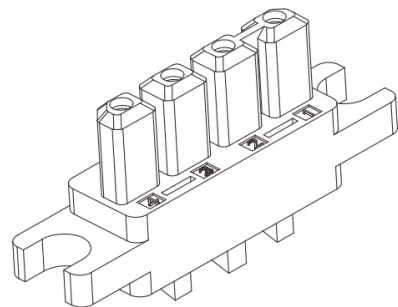
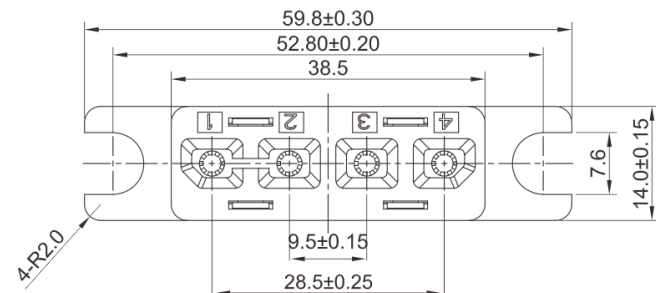
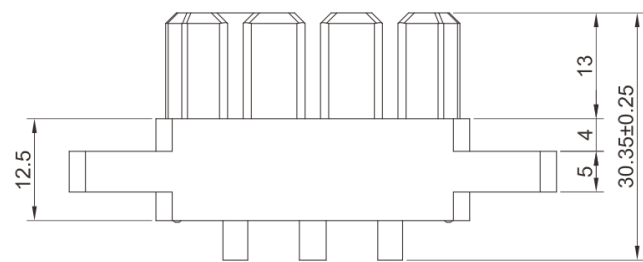
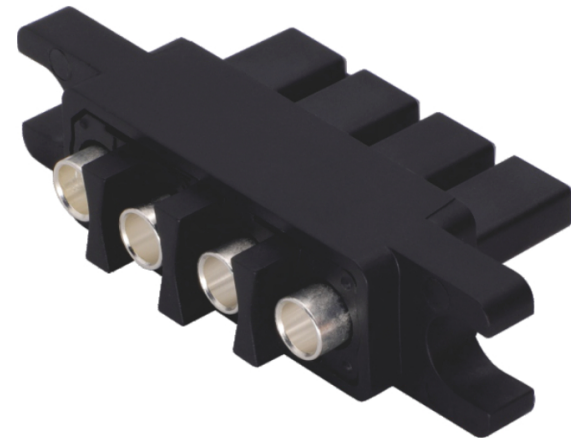
4+8PIN母座线路板安装开孔示意图



DKY-P950-04/08-X

DK Y - P 950 - 04 - X

客户要求
04: 电源针级数4位
950: 间距9.50mm
P: 公座 (PLUG)
Y: 压接工艺
DK: 矩形连接器



技术参数及电气性能

额定电压 AC 600V	单PIN保持力 > 100N
额定电流 40A	插拔寿命 1000次
绝缘电阻 常态≥500MΩ	耐电压 AC2000V/Min
接触电阻 < 1mΩ	环境温度 -40°C~+105°C
插拔力 > 8N, < 35N	相对湿度 ≤95% (+40°C)

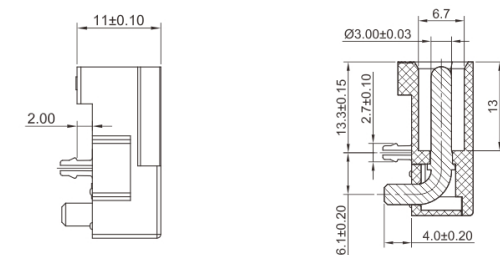
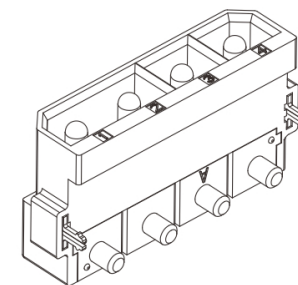
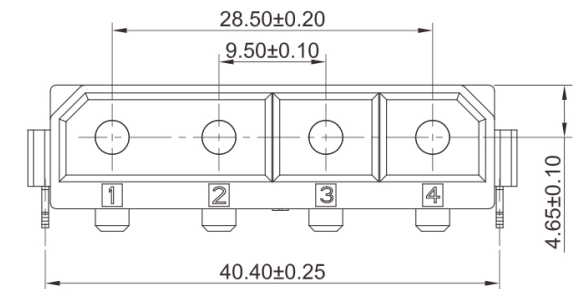
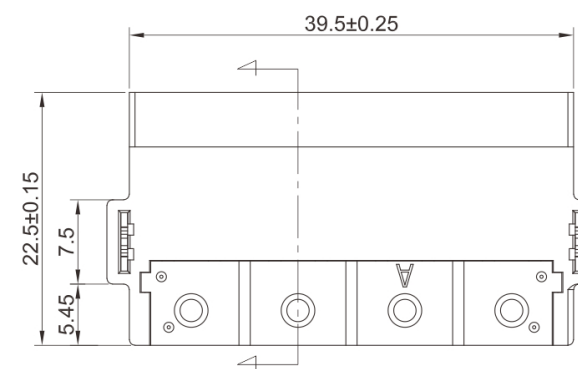
本公司新产品描述

电源连接器-采用的是先进冠簧插孔结构, 具有连接可靠、插拔柔和、插拔力小、接触电阻低、通载电流高、性能优良等特点。该系列产品主要应用于: 充电桩、UPS电源、铁路信号电源、通讯电源、电力电源、电能质量、光伏等。

DKY-S950-04/08-X

DK Y - S 950 - 04 - X

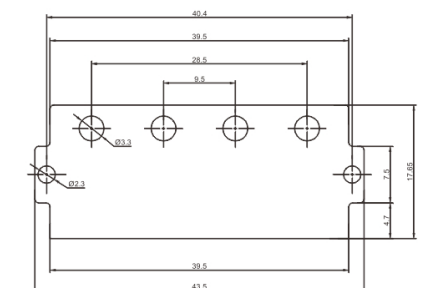
客户要求
04: 电源针级数4位
950: 间距9.50mm
S: 母座 (Sockte)
Y: 压接工艺
DK: 矩形连接器




技术参数及电气性能

额定电压 AC 600V	单PIN结合力 > 25N	鱼叉结合力 > 15N
额定电流 40A	插拔寿命 1000次	
绝缘电阻 常态≥500MΩ	耐电压 AC2000V/Min	
接触电阻 < 1mΩ	环境温度 -40°C~+105°C	
插拔力 > 8 < 35N	相对湿度 ≤95% (+40°C)	

DKY-S950-04母座线路板安装开孔示意图



订购方式 HOW TO OEDER




Y B

直焊式端子

YB 312 - 508 - 3P

螺钉式PCB接线端子 (压线框压线)

X X X 型号 No.	X X X 间距 Pitch	X X 级数 No. of pole	X X X 客户需求 Customer Request
312	3.50	2 P	
.	3.81	3 P	
.	5.00	4 P	
.	5.08	5 P	
.	6.35	.	
.	7.50	.	
.	7.62	.	
.	9.52	.	




Y C

插拔式端子 (插头)

YC 100 - 508 - 4P

插拔式PCB接线端子 (插头)

X X X 型号 No.	X X X 间距 Pitch	X X 级数 No. of pole	X X X 客户需求 Customer Request
100	2.50	2 P	
.	3.50	3 P	
.	3.81	4 P	
.	5.00	5 P	
.	5.08	.	
.	7.50	.	
.	7.62	.	
.	9.52	.	



Y E

插拔式端子 (插座)

YE 010 - 508 - 4P

插拔式PCB接线端子 (插座)

X X X 型号 No.	X X X 间距 Pitch	X X 级数 No. of pole	X X X 客户需求 Customer Request
010	2.50	2 P	
.	3.50	3 P	
.	3.81	4 P	
.	5.00	5 P	
.	5.08	.	
.	7.50	.	
.	7.62	.	
.	9.52	.	

